

### SQUARE TRIM SUBMITTAL : DIMENSIONS

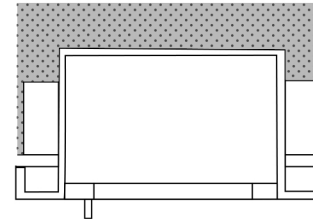
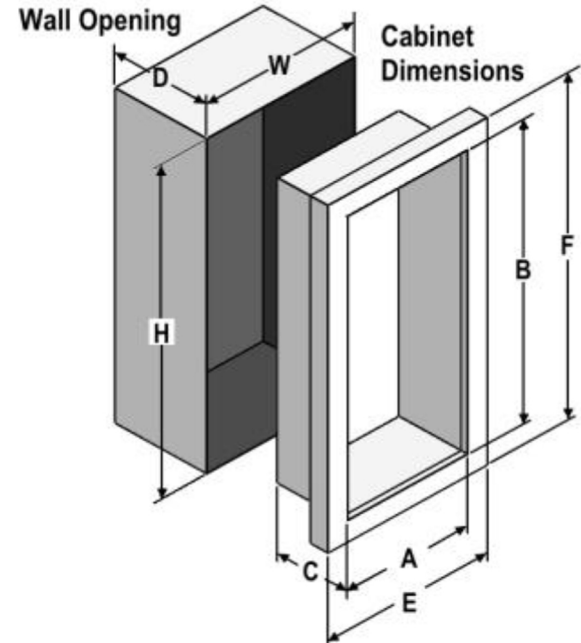
TRIM & DOOR SERIES #		Tub I.D.			Frame O.D.		Wall Opening		
Model	Trim Style	A	B	C	E	F	W	H	D
8116	1-1/2" Square	9	18	5 1/2	12 3/8	21 3/8	10	19	4
1816	1-1/2" Square	10 1/2	24	5 1/2	13 7/8	27 3/8	11 1/2	25	5 3/8
1016	1-1/2" Square	10 1/2	24	6	13 7/8	27 3/8	11 1/2	25	5 7/8
2016	1-1/2" Square	12	27	7 3/4	15 3/8	30 3/8	13	28	7 5/8
3016	1-1/2" Square	16	32	7 3/4	19 3/8	35 3/8	17	33	7 5/8
4016	1-1/2" Square	20	27	7 3/4	23 3/8	30 3/8	21	28	6 5/8

### ROLLED TRIM SUBMITTAL : DIMENSIONS

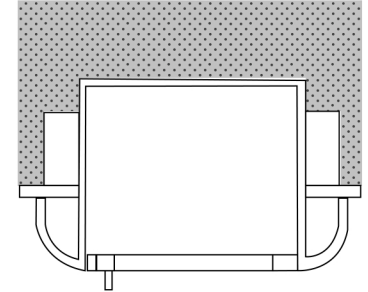
TRIM & DOOR SERIES #		Tub I.D.			Frame O.D.		Wall Opening		
Model	Trim Style	A	B	C	E	F	W	H	D
8117	2-1/2" Rolled	9	18	5 1/2	12 3/8	21 3/8	10	19	3 1/8
2017	2-1/2" Rolled	12	27	7 3/4	15 3/8	30 3/8	13	28	5 3/8
3017	2-1/2" Rolled	16	32	7 3/4	19 3/8	35 3/8	17	33	5 3/8
4017	2-1/2" Rolled	20	27	7 3/4	23 3/8	30 3/8	21	28	5 3/8
1817	3" Rolled	10 1/2	24	5 1/2	13 7/8	27 3/8	11 1/2	25	2 5/8
1017	3" Rolled	10 1/2	24	6	13 7/8	27 3/8	11 1/2	25	3 1/8
8118	4-1/2" Rolled	9	18	5 1/2	12 3/8	21 3/8	10	19	1 1/8
1818	4-1/2" Rolled	10 1/2	24	5 1/2	13 7/8	27 3/8	11 1/2	25	1 1/8
1018	4-1/2" Rolled	10 1/2	24	6	13 7/8	27 3/8	11 1/2	25	1 5/8
2018	4-1/2" Rolled	12	27	7 3/4	15 3/8	30 3/8	13	28	5 3/8
3018	4-1/2" Rolled	16	32	7 3/4	19 3/8	35 3/8	17	33	3 3/8
4018	4-1/2" Rolled	20	27	7 3/4	23 3/8	30 3/8	21	28	3 3/8

### ROLLED-FLUSH PULL TRIM SUBMITTAL : DIMENSIONS

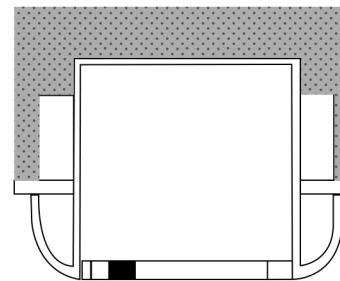
TRIM & DOOR SERIES #		Tub I.D.			Frame O.D.		Wall Opening		
Model	Trim Style	A	B	C	E	F	W	H	D
1812	Rolled-Flush Pull	10 1/2	24	5 1/2	13 7/8	27 3/8	11 1/2	25	1 7/8
1012	Rolled-Flush Pull	10 1/2	24	6	13 7/8	27 3/8	11 1/2	25	2 3/8
2012	Rolled-Flush Pull	12	27	7 3/4	15 3/8	30 3/8	13	28	4 1/8
3012	Rolled-Flush Pull	16	32	7 3/4	19 3/8	35 3/8	17	33	4 1/8
4012	Rolled-Flush Pull	20	27	7 3/4	23 3/8	30 3/8	21	28	3 3/8



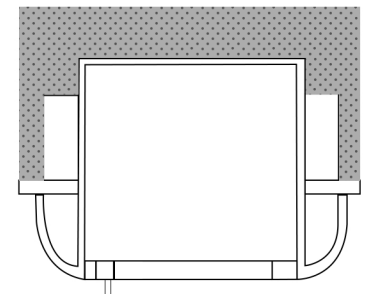
1-1/2" Square Trim



2-1/2, 3" Rolled Edge



4" Rolled-Flush Pull



4.5" Rolled Edge